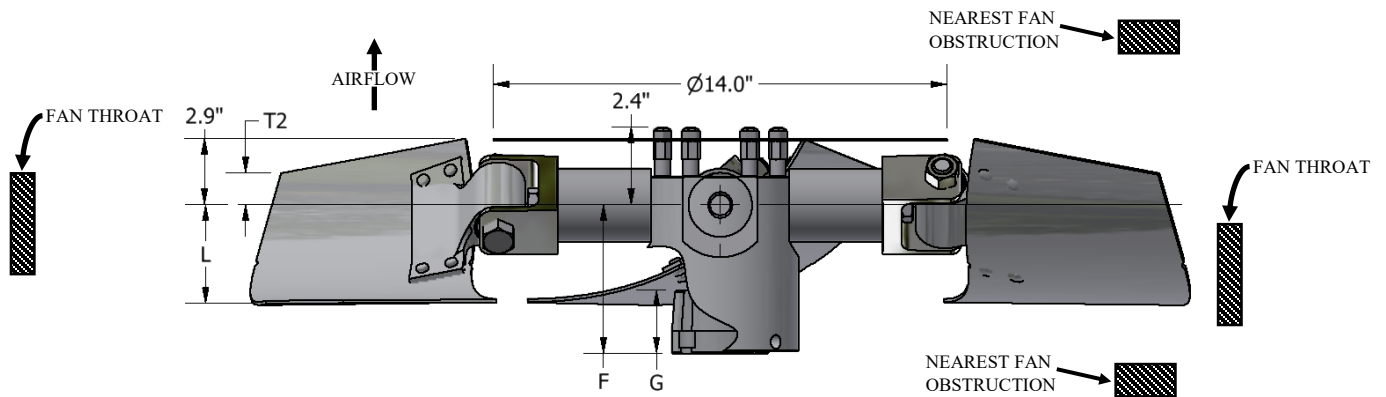
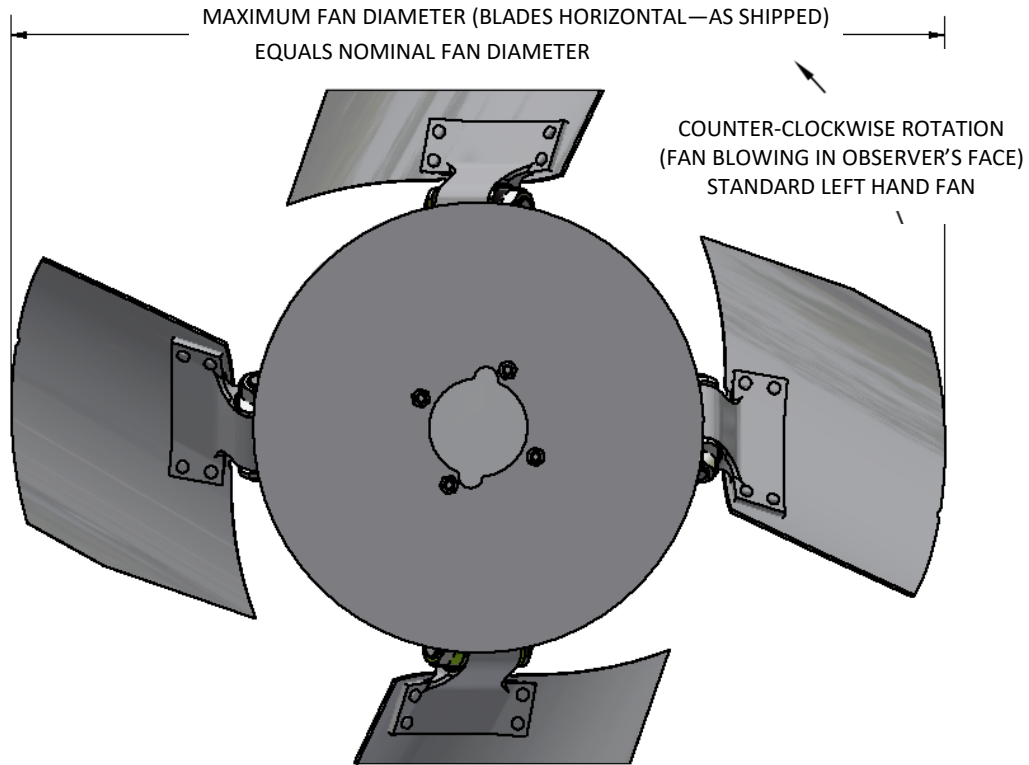


CLASS 1000 SERIES 16

EXTENDED HUB, LH ROTATION



SHAFT (BY OTHERS) MUST FULLY ENGAGE BUSHING

NOTE:
ALL MEASUREMENTS ASSUME HIGHEST BLADE LOADING AND ANGLE (50°)

WITH FAN OPERATING AT 12000 FT/MINUTE BLADE TIP SPEED		
PERCENT BLADE		
	100%	

DIA	T2	L
36"	1.4"	3.3"
42"	0.9"	3.4"
48"	0.1"	3.8"
54"	-0.9"	4.8"
60"	-2.1"	5.5"

T2 = FAN CENTERLINE TO TRAILING EDGE AT TIP
 F = CENTERLINE OF FAN TO BASE OF BUSHING
 G = BUSHING OVERALL HEIGHT
 L = FAN CENTERLINE TO LEADING EDGE AT TIP
 # = WITH S.A.E. STANDARD SQUARE KEYWAY
 * = WITH SHALLOW KEYWAY IN BUSHING

MAX BLADES	BUSHING TYPE	MAX #	MAX *	F	G
8	T	2.000"	2.188"	4.6"	1.9"
8	U	2.750"	2.938"	4.6"	2.7"